

Flowmeter Ordering Matrix

Instructions: Select the adapter, flowmeter and fitting to form an 11-digit part number.


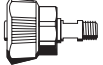


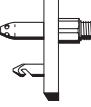
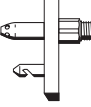


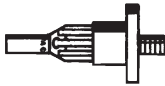

Example: 6701-1260-921

6701 Diamond Adapter

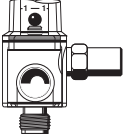
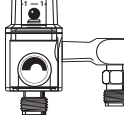
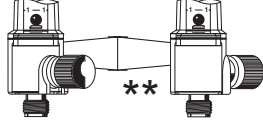
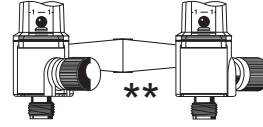
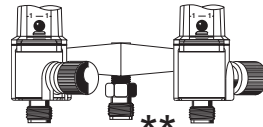
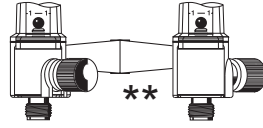
1260 Oxygen Flowmeter (1-15 L/min)

921 Tubing Nipple

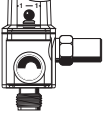
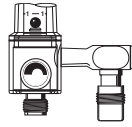
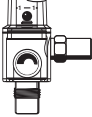
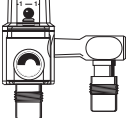
Adapters 67XX

- No Adapter — **6700***
1/8" NPT Female
-  — **6701***
Ohmeda Diamond
-  — **6702***
DISS Hand-I-Twist (HIT)
-  — **6703**
DISS Nut & Gland
-  — **6704**
Schrader
- Air Only —  — **6705**
Chemetron Rectangle Striker (NCG)
-  — **6706**
Chemetron Round Striker (NCG)
-  — **6707***
Puritan
-  — **6708**
O.E.S. Twist
-  — **6709**
O.E.S. Med*Star
-  — **6714***
DISS Male


Flowmeter 126X or 130X or 150X Oxygen Flowmeters

-  — **1260 (1-15 L/min)***
1305 (0.25 - 3.5 L/min)*
O₂ Flowmeter with
O₂ DISS Fitting
 -  — **1261 (1-15 L/min)***
1306 (0.25 - 3.5 L/min)*
O₂ Flowmeter with
O₂ DISS fitting and
O₂ DISS power outlet
 -  ** — **1262 (1-15 L/min)***
1307 (0.25 - 3.5 L/min)*
O₂ Twin Flowmeter with
O₂ DISS fitting
 -  ** — **1502 LoFlo 3.5 & 1-15
L/min O₂ Twin Flowmeter***,
only with 6700, 6701, 6702,
6703, 6706 and 6707
adapters
 -  ** — **1263 (1-15 L/min)***
1308 (0.25 - 3.5 L/min)*
O₂ Twin Flowmeter with
O₂ DISS fitting and
O₂ DISS power outlet
 -  ** — **1503 LoFlo 3.5 & 1-15
L/min O₂ Twin Flowmeter***
**with O₂ DISS Power
Outlet**, only with 6700,
6701, 6702, 6703, 6706 and
6707 adapters
- ** "Y" adapter subject to change

Medical Air Flowmeters

-  — **1264 (1-15 L/min)***
Air Flowmeter with
O₂ DISS Fitting
-  — **1266 (1-15 L/min)***
Air Flowmeter with
O₂ DISS fitting and
Air DISS power outlet
-  — **1267 (1-15 L/min)***
Air Flowmeter with
Air DISS fitting
-  — **1268 (1-15 L/min)8**
Air Flowmeter with
Air DISS fitting and
power outlet

Fittings 9XX

- No Adapter — **907***
DISS Fitting
-  — **921***
Tubing Nipple
Nut & Gland

Note: Tubing Nipple Nut & Gland (921 option) is plastic for 1260, 1261, 1262, 1263, 1264, 1266, 1305, 1306, 1307, 1308, 1502 & 1503 models and is metal for 1267 & 1268 models. This nipple is supplied only for the flowmeter DISS fitting with the 921 option and not with the power outlet.

* Effective January 2005, units noted above as MR compatible conform to the guidelines recommended by the FDA and ASTM in a 3T environment (outside MR scanner bore). Use in higher Tesla fields is not recommended. Fittings and adapters fitted to this product may have mild magnetic attraction. To ensure MR compatibility, only adapters and fittings tested and designated by Ohio Medical for the configurations listed as MR compatible should be used. Any substitution or changes must be evaluated in accordance with your hospital policy.

Flowmeters with Mounting Brackets for Dovetail Rail and Multi-Purpose Therapy Stand



Flowmeter and Manifold Bracket
Flowmeter with Hand-I-Twist (HIT) DISS adapter, tubing nipple; Manifold Bracket with one DISS male and two DISS male checks, with 8' DISS HIT Female x DISS HIT Female O2 Hose

6721-1260-921 1-15L/min O₂ (shown)
6721-1264-921 1-15L/min Air
6721-1305-921 LoFlo 3.5 O₂

Oxygen Flowmeter and Extension Bracket
3" extension bracket with DISS male hose and flowmeter fittings , 1-15 L/min O₂ flowmeter (not shown)
6700-0148-900



Universal Manifold Bracket
With four 1/8" NPT ports and two plugs
0217-5359-800



Manifold Bracket With DISS Adapters
With two DISS male check units; one DISS male adapter, one 1/8" NPT with plug
6700-0411-800 O₂ (shown)
6700-0412-800 Air

Tubing Nipples



Color-Coded Tubing Nipple
Constructed of Durable Plastic
Oxygen Wing Nut (O₂ DISS female) & Gland with Tubing Nipple, green
6700-0093-700 (pkg. of 20)
6700-0089-700 (1 ea)

Air Wing Nut (O₂ DISS female) & Gland with Tubing Nipple, yellow
6700-0093-703 (pkg. of 20)
6700-0089-703 (1 ea)



O₂ Tubing Nipple, Metal & Plastic
DISS Union Wing Nut & Gland, with 5" chain, O₂ (green)
0204-8811-800
DISS Union Wing Nut & Gland, without chain, O₂ (green) (shown)
6700-0102-800



Air DISS Tubing Nipple
DISS Union Nut & Gland, metal, with 1/4" hose barb, Air
6700-0654-803

Flowmeter Service Parts

Flow Control Valve Assembly

Includes the following parts: Flow Control Valve, Flow Control Valve Seat, Buna-N O-rings (3), Teflon® (PTFE) O-ring, Cap Nut, Knob
6700-0001-700

O-ring Replacement Set

Includes the following parts: Buna-N O-rings (5), Teflon (PTFE) O-ring (1)
6700-0359-850

Flowmeter Needle Valve Assembly

Package of 4 each 6700-0025-700

Flowmeter Control Knob

Package of 4 each 6700-0100-200

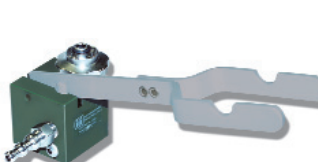
Accessories



8.5" Flowmeter Security Chain
with snap ring(stainless steel)
6700-0404-200



8" Flowmeter Security Wire (nylon coated stainless steel)
6700-0403-200



O₂ Instant Flow Valve Fork
6700-0400-200



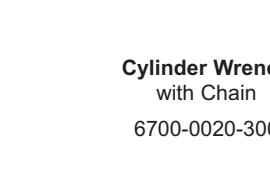
O₂ Flow Selector Valve
6700-0402-200



Multi-purpose Rail Mount Slide
6700-0405-200



Gauge Pole Clamp .75" - 1.5"
6700-0406-200



Cylinder Wrench with Chain
6700-0020-300

