


CE/ISO AND CANADIAN FLOWMETER CONFIGURATION SHEET
Select Probe Fitting, Flowmeter and Outlet Fitting to form an 11-digit part number.

Example: 3/8" BSP O₂ 1-15 L/min Tubing Nipple = Part Number
 6715 + **1280** + **921** = **6715-1280-921**

Probe Fittings 67XX

6700
1/8" NPT Female


6715
3/8" BSP Female



Flowmeters 1XXX

60 psi / 414 kPa / 4.2 bar (CE)

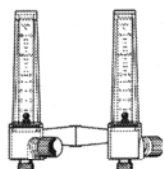
Single Flowmeter:

1280 O₂ 1-15 L/min 

1286 Air 1-15 L/min

1309 O₂ 0.25 - 3.5 L/min

Twin Flowmeter:


1292 O₂ 1-15 L/min 

1298 Air 1-15 L/min

1313 O₂ 0.25 - 3.5 L/min

GERMANY (CE)
72.5 psi / 500 kPa / 5 bar

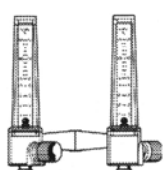
Single Flowmeter:

1400 O₂ 1-15 L/min 

1402 Air 1-15 L/min

1404 O₂ 0.25 - 3.5 L/min

Twin Flowmeter:

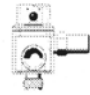
1401 O₂ 1-15 L/min 

1403 Air 1-15 L/min

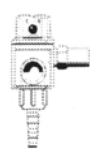
1405 O₂ 0.25 - 3.5 L/min

Outlet Fittings 9XX

****907**
O₂ DISS Male



****921**
O₂ DISS Male
w/ Tubing Nipple




**O₂ and Air Flowmeters come with O₂ DISS male outlet fittings except as noted (Canada)

6700
1/8" NPT Female

CANADA (NOT CE)
50 psi / 345 kPa / 3.5 bar

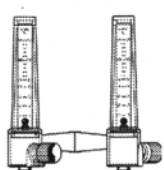
Single Flowmeter:

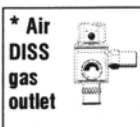
1284 O₂ 1-15 L/min 

1290 Air 1-15 L/min

1291* Air 1-15 L/min

Twin Flowmeter:

1296 O₂ 0.25 - 3.5 L/min 

*** Air DISS gas outlet** 

Note:

BSP = British Standard Pipe
NPT = National Pipe Thread
DISS = Diameter Index Safety System