

## TECHNICAL SPECIFICATIONS:

Length without head rest:	1745 mm
Length incl. head rest:	2025 mm
Width:	540 mm
Width incl. side rails:	605 mm
Height without padding:	730 – 980 mm
Trendelenburg / reverse Trendelenburg positions:	28°/35°
Lateral tilt left / right:	20°/20°
Back plate upward / downward:	70°/40°
Leg plates upward / downward:	25°/90°
Leg plates can be abducted and removed.	
OR-table weight:	156 kg
Maximum patient weight:	135 kg

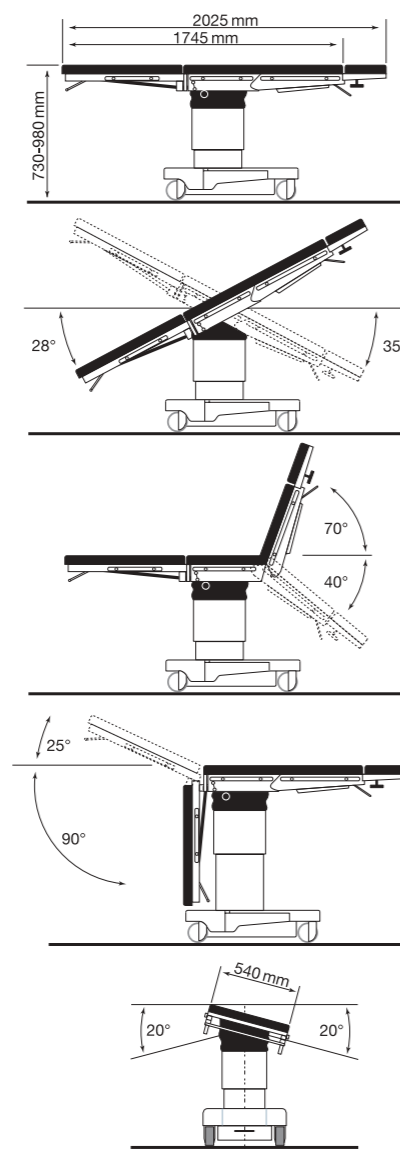


Illustration showing  
 DeltaClassic 1115.01B0  
 Head rest 1115.64B0  
 Leg plate 1115.58B0  
 Arm board 1001.6000  
 Anaesthesia screen 1002.57A0

## Subsidiaries

**Australia:**  
 MAQUET Australia Pty Ltd  
 P.O. Box 50, Bulimba  
 Queensland 4171, Australia  
 Phone: +61 (0) 7 33 99 33 11

**China:**  
 MAQUET International Trading Co. Ltd.  
 1988-91 Tower B, City Centre of Shanghai,  
 100 Zun Yi Road, Shanghai 200051, P.R. China  
 Phone: +86 (0) 21 62371957

**Finland:**  
 MAQUET Nordic Suomi  
 Vattuniemenkatu 23  
 00210 Helsinki, Finland  
 Phone: +358 9 682 412 60

**Hong Kong:**  
 MAQUET Hong Kong Limited  
 1105-1107 Grand Century Place I  
 193 Prince Edward Road West  
 Mongkok, Kowloon, Hong Kong  
 Phone: +852 2393 9 511

**India:**  
 MAQUET Medical India Pvt. Ltd.  
 102, Pressman House  
 70A, Nehru Road  
 Vile Parle (East)  
 Mumbai 400 099, India  
 Phone: +91 (0) 22 56755551-2-3

**Japan:**  
 MAQUET-Getinge K.K.  
 TFT Building, East Wing 8th Floor  
 3-1-22, Ariake Koto-ku  
 Tokyo 135-0063, Japan  
 Phone: +81 (0) 3 3599-8361

**For local contact:**  
 Please visit our Website  
[www.maquet.com](http://www.maquet.com)

# MAQUET

MAQUET GmbH & Co. KG  
 Kehler Straße 31  
 D-76437 Rastatt, Germany  
 Phone: +49 (0) 7222 932-0  
 Fax: +49 (0) 7222 932-571  
 Service-Hotline: +49 (0) 7222 932-745  
[info.sales@maquet.de](mailto:info.sales@maquet.de)  
[www.maquet.com](http://www.maquet.com)

**Latin America:**  
 MAQUET do Brasil Ltda.  
 Rua Said Aiach 161, Paraíso  
 04003-20 São Paulo/SP, Brasil  
 Phone: +55 (0) 11 2126 2500

**Netherlands:**  
 MAQUET Netherlands B.V.  
 Rijksstraatweg 37-39  
 1396 JD Baambrugge, Netherlands  
 P.O. Box 2  
 1390 AA Abcoude, Netherlands  
 Phone: +31 (0) 294 291555

**Republic of Ireland:**  
 MAQUET Ireland  
 Unit B6  
 Calmount Business Park  
 Ballymount  
 Dublin 12, Republic of Ireland  
 Phone: +353 (0) 142 60032

**Russia:**  
 MAQUET LLC  
 17, Vorontsovskaya Street  
 109147 Moscow, Russia  
 Phone: +7 095 514 0055

**Singapore:**  
 MAQUET South East Asia Pte Ltd.  
 20 Bendemeer Road  
 #06-01/02 Cyberhub Building  
 Singapore 339914, Singapore  
 Phone: +65 6 296 1992

**Slovakia:**  
 MAQUET Medizintechnik  
 Vertrieb und Service GmbH – o.z.  
 Soltesovej 12  
 811 08 Bratislava, Slovakia  
 Phone: +421 2 50219 150

**United Kingdom:**  
 MAQUET Ltd.  
 14-15 Burford Way  
 Boldon Business Park  
 Sunderland  
 Tyne & Wear, NE35 9PZ, United Kingdom  
 Phone: +44 (0) 191 519 6200

## GETINGE

GETINGE GROUP is a leading global provider of equipment and systems that contribute to quality enhancement and cost efficiency within healthcare and life sciences. Equipment, services and technologies are supplied under the brands ARJO for patient hygiene, patient handling and wound care, GETINGE for infection control and prevention within healthcare and life science and MAQUET for Surgical Workplaces, Cardiopulmonary and Critical Care.

## MOBILE OPERATING TABLE DELTACLASSIC



SURGICAL WORKPLACES

# MAQUET

© MAQUET is a registered trademark of MAQUET GmbH & Co. KG · Reg. OUG:MSW-BR-10000019-EN-2 · Copyright by MAQUET, Rastatt · XXXX · 10/05 · Subject to modifications due to technical development.

**DELTACLASSIC 1115  
MOBILE  
OPERATING TABLE**

MAQUET extends the model range of the classic-series. Strict concentration on essential functionality marks the character for this mobile operating table. With its manually operated functions the Deltaclassic 1115 qualifies for all basic procedures of general surgery. If your main motivation for a multi-purpose operating table is 'value for money', your decision to purchase the Deltaclassic will prove to be the right step.



Lateral release handles for pneumatic spring supported Trendelenburg / reverse Trendelenburg adjustment.

Semi-recumbent position, used for thyroidectomy or tonsillectomy, for example.



Nephrectomy in lateral position.



General surgery – e.g. cholecystectomy.



Horizontal positions – used in orthopaedics or vascular surgery.



Gynaecology.



**DELTACLASSIC 1115  
MOBILE  
OPERATING TABLE**

**deltaclassic 1115  
mobile operating table**

For general surgery with five section table top, (head plate and leg plates to be ordered separately). Table top frame and column casing entirely made of CrNi steel. With solid base construction, base covers made of CrNi steel. OR-table is easily manoeuvred with four large castors of 100 mm. The table locks by means of a central pedal.

Height adjustment table top up / down pedal-operated via a hydraulic system. Trendelenburg / reverse Trendelenburg positions and back plate adjustments up / down by means of levers under the head end of the back plate via pneumatic spring supports. Lateral tilt adjustments left / right via hand crank, from either side of the seat plate. The hand crank can be folded down and detached from the receptacles at the table frame. Leg plate adjustments up / down via pneumatic spring support; abduction via handle screws. Head rest adjustments up / down via grip screws.

**Model variations:**

**deltaclassic 1115.01B0**  
Mobile operating table as described above, including a set of SFC pads, radiotranslucent and electrically conductive, fixed with Velcro straps

**deltaclassic 1115.01C0**  
Mobile operating table as described above; back plate additionally equipped with integrated body elevator. Including a set of SFC pads, radiotranslucent and electrically conductive, fixed with Velcro straps

**Necessary basic equipment:**

**1115.50B0 leg plates, pair**  
Adjustment up / down via pneumatic spring support, including SFC pads.

**1115.64B0 head rest**  
Adjustment up / down via grip screws, including SFC pad.

**Recommended accessories / options:**

**1115.58B0 leg plate**  
Undivided; adjustments up / down via pneumatic spring support, including SFC pad.

**1001.65A0 Goepel knee crutch**  
(order 2 pieces)  
**1003.23C0 radial setting clamp**  
(order 2 pieces)

**1002.57A0 anaesthesia screen**  
without clamp  
**1003.23C0 radial setting clamp**

**1001.6000 arm board**  
height adjustable, swivelling, SFC pad

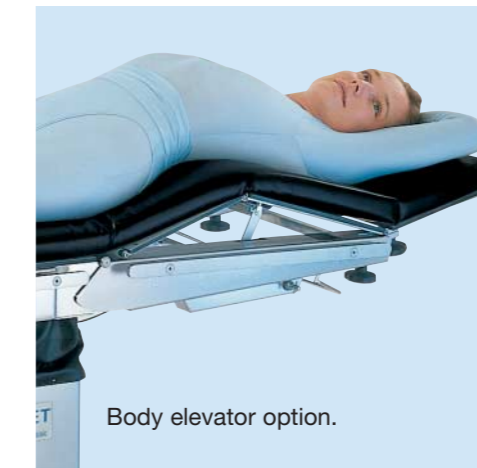
**1115.45A0 bowl**  
CrNi steel

**1115.60A0 connecting bracket**  
for head rest

**1115.46A0 cassette tray**

**SFC** – Special foam core

For further accessories see accessory catalogue MAQUET 1000.



Body elevator option.